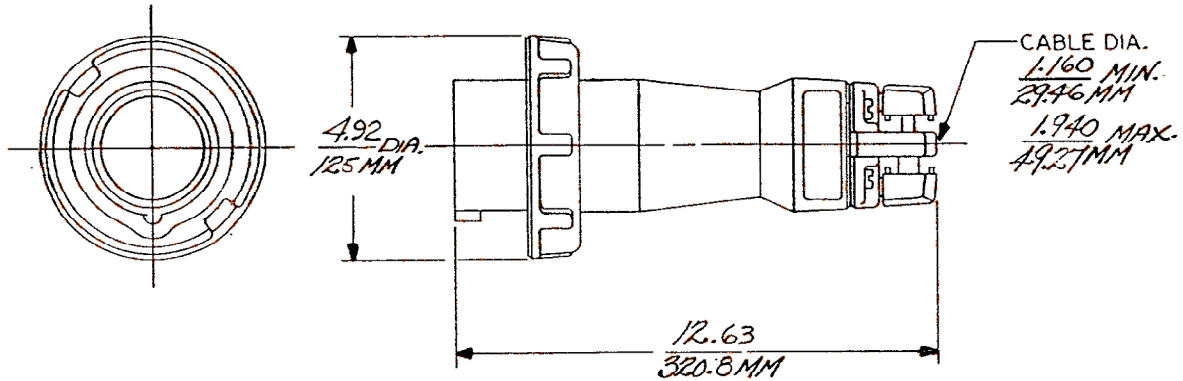


M-7673 2



LIST OF PARTS		
DESCRIPTION	MATERIAL	FINISH
HOUSING	NYLON	
INTERIOR	THERMOSET	
GASKET	RUBBER	
LOCK RING	POLYESTER	
PINS	BRASS	NICKEL
TERMINAL SCREWS	STAIN. STL.	
GLAND CAP	POLYESTER	
GLANDS	RUBBER	
CLAMPS	POLYESTER	
CLAMP NUTS	BRASS	NICKEL
ASSY. SCREWS	STAIN. STL.	

CAT. No.	CONFIGURATION	RATING	CAT. No.	CONFIGURATION	RATING
			M5100P7		100A 3ØY 277/480 VAC
			M5100P9		100A 3ØY 120/208 VAC

2	ADDED CAT # M5100P7; ADDED "NICKEL" TO PIN FINISH IN TABLE PER DCN #12377. JMN	CJC	6/6/05
1	RELEASED PER DCN 4455		8-22-96
SYM	REVISIONS	APP	DATE

THE DESIGN AND DIMENSIONS OF THE PRODUCT SHOWN ON THIS DRAWING ARE SUBJECT TO CHANGE WITHOUT NOTICE.

NOTES:  
1. ALL DECIMAL DIM. TOLS. TO BE ±.03

TITLE  
100A. 5 WIRE  
PIN & SLEEVE PLUG

TOLERANCES UNLESS OTHERWISE SPECIFIED	WIRING DEVICE DIVISION <b>HARVEY HUBBELL, INC.</b> BRIDGEPORT, CONN.	
FRACTIONS ± 1/64	DR. BY <i>[Signature]</i>	APP. BY
DECIMALS ± .005	TR. BY	SCALE 1:1
ANGLES ± 2°	CHK'D. BY	DATE 8-22-96

CODE 74545

DIMENSION SHEET FOR CAT. NO.

REPAIRABLE  NON-REPAIRABLE

B

M-7673

2